



Features

- High output, professional quality sound with 300 w continuous power handling
- E Series Entertainment System – Advanced digital signal processing tunings and options using QSC GXD, PLD amplifiers or TouchMix™ digital mixers.
- E Series Entertainment System DSP Tunings are available for PLD, CXD and GXD processing amplifiers.
- Rugged tour-grade textured paint
- Foam-lined perforated steel grill
- Suitable for main PA and stage monitor
- Optional Padded Cover for protection during transportation
- Optional U-Style Yoke and M8 rigging kit for permanent installation
- Dual-angle pole socket

Specifications

Configuration	1 x 10-inch, 2-way, non-powered
Frequency Response (-6 dB)	68 Hz - 20 kHz
Frequency Range (-10 dB)	50 Hz - 20 kHz
Power Capacity ² : Continuous/Peak	300 w / 1200 w
Sensitivity	95 dB, 1 w @ 1 m
Coverage Angle	85° conical DMT
Output (Peak SPL @ 1m)	126 dB
Drivers	
LF	254 mm (10-inch) driver with 64 mm (2.5-inch) voice coil;
HF	25 mm (1-inch) exit, 45 mm (1.75-inch) voice coil, compression driver
Nominal Impedance	8 Ω
Cross-over	Full-range only, 1.8 kHz
Input Connectors	2 x NL4 1 x barrier strip
Enclosure	Multi-angle, plywood, black texture paint finish. One top mounted handle. Perforated, powder-coated steel grille with foam lining.
Mounting and suspension	6 x M8 suspension points, dual angle, 35 mm pole-socket
Net Weight	20 kg / 44 lb
Shipping Weight	23 kg / 50 lb

¹ With QSC Processing

² Power that the device can withstand for two hours without permanent change in acoustical, mechanical, or electrical characteristics, greater than 10%, using IEC60268 noise based on nominal impedance in the cabinet with Xover, full range 30 Hz 12 dB/oct.

Specifications are subject to change with out notice.

E10

10" Two-Way Passive Loudspeaker

The E10 is a compact, two-way loudspeaker featuring a 10-inch, die-cast frame woofer with a 2.5-inch voice-coil housed in a multi-purpose enclosure that is equally at home in stage monitor or main PA deployment. It incorporates QSC's DMT (Directivity Matched Transition) design with a wide 85° coverage and can handle 300 W continuous power. When used as a stage monitor, the E10 is angled up at a 55° angle allowing it to be placed near the performer when used on a crowded stage.

E Series Loudspeakers

The E Series is a range of passive loudspeakers offering robust construction, trusted reliability and overall sonic performance beyond expectations. Intended for sound reinforcement in entertainment applications including live performance, DJ and dance music, karaoke and event production, E Series loudspeakers will deliver outstanding results. Building on QSC's proven "Systems" methodology, the E Series loudspeakers' performance is further enhanced when paired with QSC's GXD or PLD amplifiers or with a QSC TouchMix digital mixer, and taking advantage of the on-board DSP and factory-tuned presets. These presets support a variety of applications including live sound reinforcement (with and without subwoofers), stage monitoring, dance music and karaoke.

E Series consists of six models constructed of rugged plywood and coated in black, textured paint. Heavy-duty grilles lined with foam provide protection for the woofers and an elegant appearance. E10, E12 and E15 models are equipped with an all metal, dual-angle, 35mm socket that allows the speaker to be mounted vertically on a pole or angled down by 10° to improve audience coverage and reduce rear wall reflections. Multiple mounting options using E Series Yoke or M8 eyebolts are supported. Input connections include dual NL4 as well as screw terminal receptacles. Additionally, E215 and E218SW models feature ergonomic, aluminum handles to ease portability.

Entertainment Venues

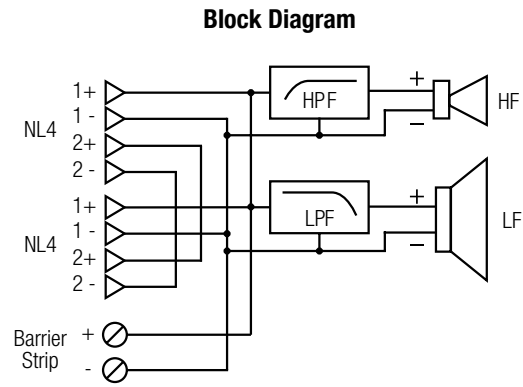
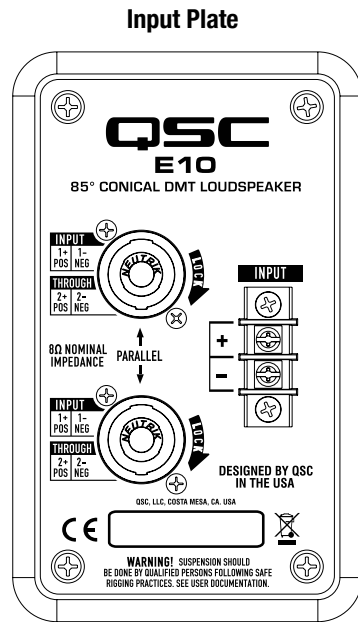
House of Worship

Rental/Production

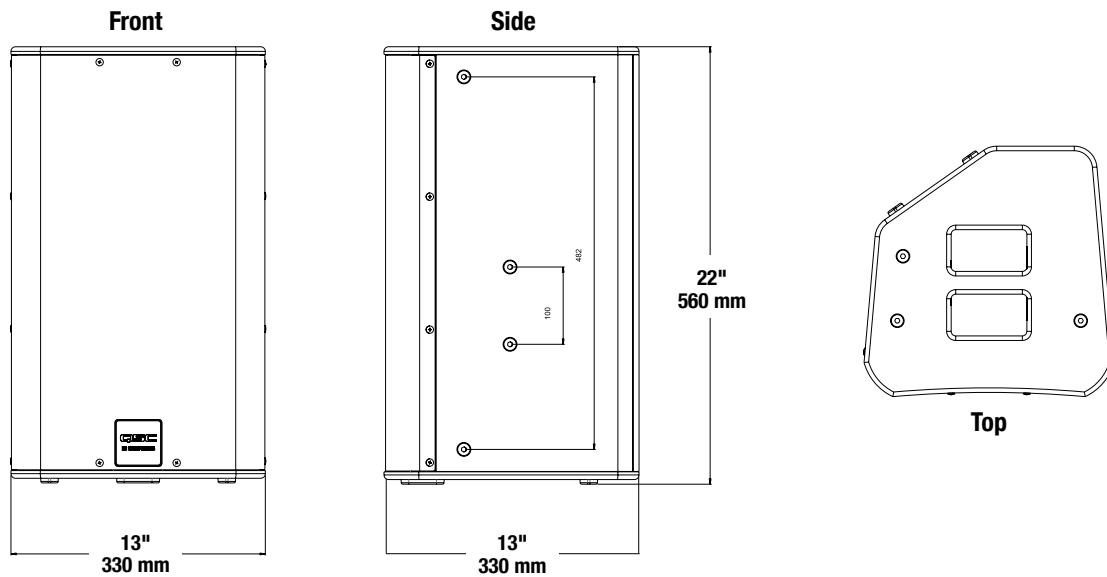
Mobile Performers



E10 Details



E10 Dimensions



QSC®

1675 MacArthur Boulevard, Costa Mesa, CA 92626 | Ph: 800/854-4079 or 714/957-7100 | Fax: 714/754-6174
 ©2017 QSC, LLC all rights reserved. QSC, the QSC logo and TouchMix are registered trademarks of QSC, LLC in the U.S. Patent and Trademark office and other countries.
 All other trademarks are the property of their respective owners. Patents may apply or be pending.